

INTERCOM

INTM / INTS



KEY FEATURES

- + Digital audio processing and transmission
- + Automatic gain control (AGC)
- + Integrated microphone
- + RGB LED illuminated heavy-duty buttons, suitable for operation with protective gloves
- + Automatic Key brightness
- + Quick installation and setup
- + Robust e-coated aluminium enclosure

SUPREME AUDIO QUALITY, DIGITAL PROCESSING

Emitter Vehicle Intercom System is engineered to solve the problem of communication in high-noise environments such as in Fire and Rescue vehicles, mobile machines, ambulances, etc. The supreme audio quality is achieved with digital audio transmission which is much more immune to electrical noise and other disturbances than analogue transmission. Digital audio processing, automatic gain control (AGC), gate functionality and digital filtering improve sound quality on all levels.

INTERCOM consists of two main units and supporting components. Up to three slave units can be connected optionally. Regarding mounting location, one unit, usually mounted in the cabin, is marked as the "indoor/master unit" and the other one as the "outdoor/slave unit". Each unit has its own specific supporting components. The indoor/master unit has an integrated microphone, optional external gooseneck microphone and external 15 W speaker. The outdoor/slave unit has an external handheld unit with an integrated microphone and speaker, external 15 W speaker and 1 A output for external ring indication lamp or a buzzer.

SPECIFICATIONS

POWER

Supply Voltage 24 V version: 20-32 V DC
12 V version: 8-16 V DC

Current Consump. 24 V version: max. 1.5 A/unit
12 V version: max. 3.75 A/unit

Electrical Protection overvoltage, transients, reverse polarity, load dump

I/O AND INTERFACES

Output 1 x Current Sink Output, max. 1 A on outdoor/slave unit

Interfaces 1 x CAN, 1 x RS-485

Speaker 1 x RMS/PEAK power max. 15/25 W, 4 Ω

ENVIROMENT

IP Class (IEC529) Indoor/MasterUnit IP53
Outdoor/Slave Unit IP67

Temperature Range Indoor/MasterUnit -20°C to +70°C
Outdoor/Slave Unit -40°C to +80°C

ENCLOSURE

Housing Material Aluminium

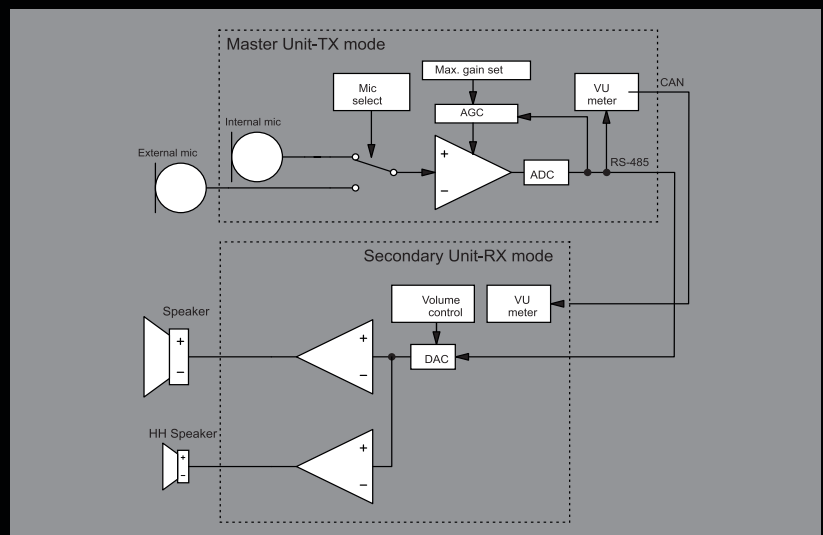
Mounting In-dash or out-dash with 4 screws M3 or 2.9 mm tapping screws

Mating Connector Deutsch DT06-12S

WEIGHT

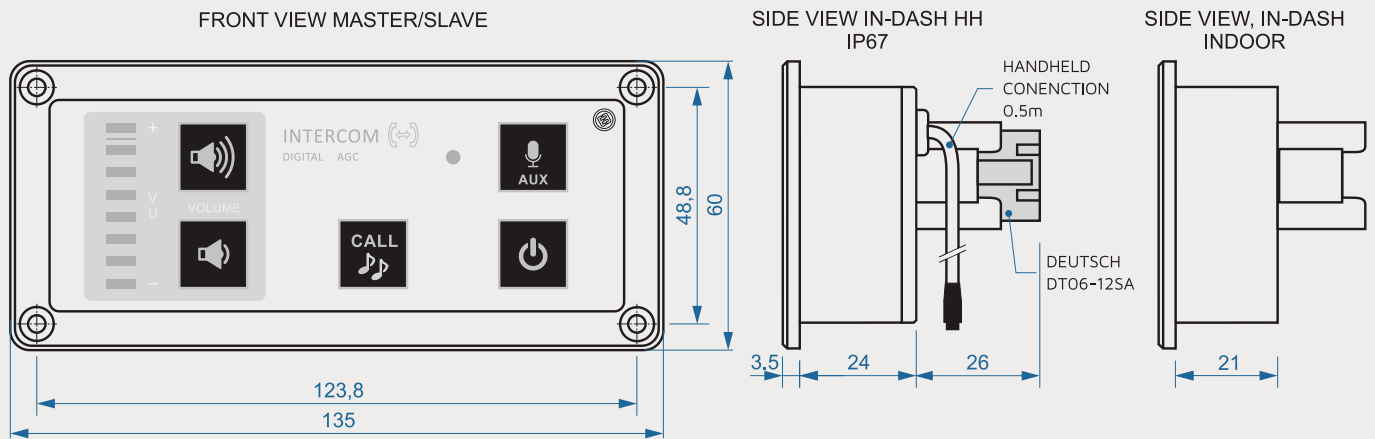
Weight 0.35 kg (0.77 lbs)

INTERNAL STRUCTURE

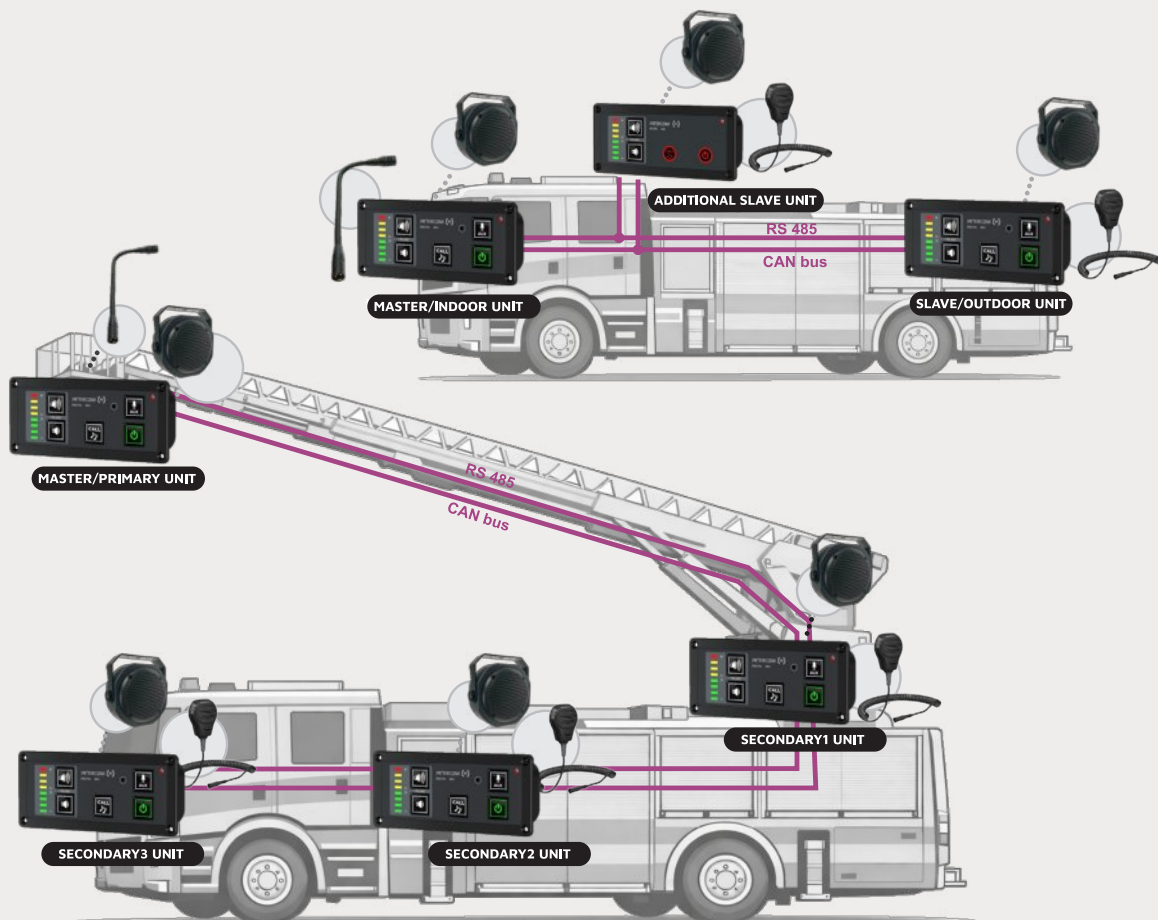




DIMENSIONS



TOPOLOGY



PRODUCT CODE

Intercom

Ordering code example:

I	N	T	S	1	O	-	2	4	H	M	C
----------	----------	----------	----------	----------	----------	----------	----------	----------	----------	----------	----------

INTERCOM UNIT TYPE	IP PROTECTION	SUPPLY VOLTAGE	MIC. COFIGURATION	MISCELLAN.
M : MASTER INDASH	I : INDOOR	24 : 20...32 V	HM : HANDHELD MIC./SPEAKER WITH PTT	C : SLAVE CALL
MO : MASTER OUTDASH	O : OUTDOOR, SEALED	12 : 8..16 V	IM : INTEGRATED MIC.	
S1 : SLAVE 1			XM : XLR MIC. INPUT	
S2 : SLAVE 2			EM : EXTERNAL MIC. AND PTT	
S3 : SLAVE 3				