

DIGITAL PRESSURE INDICATOR

3 DIGITS - DPI / RPI / DPG



KEY FEATURES

- + Vacuum, Low and High Pressure Indication options
- + 3-Digit Super Bright LED Display
- + Ambient Light Sensor
- + I/O Driver integrated for Alarms, Regulation, Etc. – Optional
- + CAN Bus Communications
- + Multiple sensor input
- + Wide Viewing Angle

DPI types of Digital Pressure Indicators are designed to display system pressure using a 3 - digit ultra-bright LED display where multiple pressure sensors can be connected.

The unit standardly uses -1..24 bar, 0..25 bar or 0..60 bar pressure sensors. The sensor input is widely configurable and can be used for 0.5-4.5 V and 0-10 V transducers or 4-20 mA transmitters.

Optionally, an I/O driver can be integrated for activating warning output, regulating the system pressure, etc.

The Digital Pressure Indicator can be used as a stand-alone system or as a part of MMX system connected via CAN bus to IO Controller. Several slave-remote pressure indicators (RPI) can be connected to a master indicator (DPI) to show the same value on different locations.



SPECIFICATIONS

POWER

Supply Voltage 8-32 V DC

Current 0.5 A maximum, no outputs active

Electrical Protection overvoltage, transients, reverse polarity

INTERFACES

CAN 1 x CAN

CAN termination 120 ohm, DIP switch

I/O

Sensor input 0.5-4.5 V standardly, 0-5V, 0-10V, 4-20 mA, resistive

Digital Input configurable active low/high levels 0..Ub with solder pad on PCB, protected

Digital Output *Only version with integrated I/O driver

OUT1 positive switching (high-side), max. 2 A (Low water warning)

OUT2 positive switching (high-side), max. 2 A (Autofill-Hysteresis)

Loads Inductive, capacitive, resistive

Miscellaneous protection from short circuit and overload

ENVIROMENT

IP Class (IEC529) IP67 front panel, IP20 from the back

EMC Conformity EN61000-6-2 noise immunity
EN61000-6-4 radiation of interference

Temperature Range storage -40° to +85°C (-40° to 185°F)
operating -40° to +85°C (-40° to 185°F)

ENCLOSURE

Housing Material aluminium

Mounting in-dash, with 4 screws M3 or 3.5 mm (#8) tapping screws

Mating Connector Terminal block 8- or 10-way depending of options selected

MISCELLANEOUS

LED display 3 - digit

Reading resolution @P<30 bar: 0.1 bar, @P>30 bar: 1 bar

Day/Night operation automatic – integrated ambient light sensor

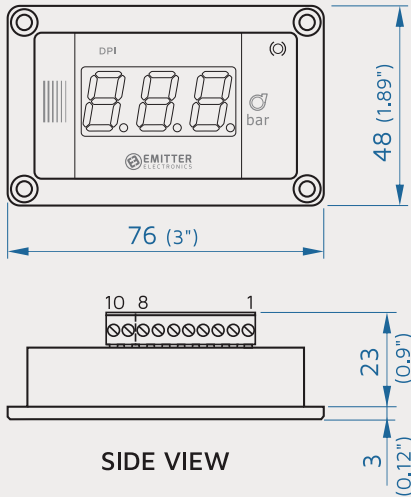
SIZE & WEIGHT

W x H x D 48 x 76 x 26 mm with connector

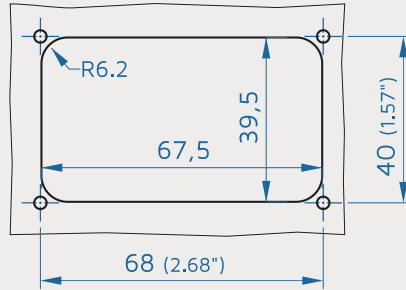
Weight 0.10 kg

DIMENSIONS

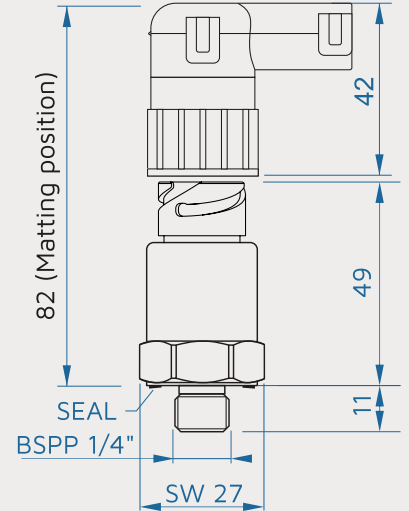
FRONT VIEW



PANEL CUT-OUT

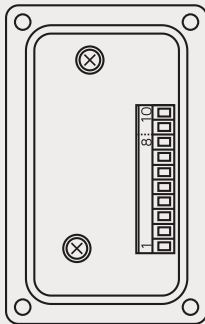


PRESSURE SENSOR S-PTXX



CONNECTIONS

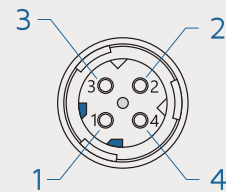
REAR VIEW



CONNECTION TERMINAL BLOCK 8/10-WAY

PIN	Description
1	BATTERY + ("15")
2	BATTERY - (GND)
3	CAN L
4	CAN H
5	SENSOR [V]/[MA] VCC+
6	SENSOR [V]/[MA] SIGNAL
7	SENSOR [V] GND
8	DIGITAL IN1 +/-
9	OUT1 HIGH SIDE 2 A (OPTIONAL)
10	OUT2 HIGH SIDE 2 A (OPTIONAL)

TRANSDUCER OEM



CONNECTION TWIST LOCK (ISO 15170)

PIN	VOLTAGE SENSOR	CURRENT SENSOR
1	BATTERY +	BATTERY +
2	GND	SIGNAL 4-20 MA
3	SIGNAL 0.5-4.5V	N/C
4	N/C	N/C

PRODUCT CODE

SET of DPI-master indicator, pressure sensor, sensor cable)

Ordering code example:

D	P	G	-	0	0	2	5	-	R	H	
---	---	---	---	---	---	---	---	---	---	---	--

MEASURING RANGE 0024: -1 .. 24 BAR 0025: 0 .. 25 BAR 0060: 0 .. 60 BAR	OUT1 R: OUTPUT 1	OUT2 H: HYST. xx/xx % R: ADD. OUTPUT	SPECIAL MODIFICATION
--	----------------------------	--	----------------------

Master Indicator

D	P	I	-	0	0	2	5	U	4	R	H
---	---	---	---	---	---	---	---	---	---	---	---

MEASURING RANGE 0024: -1 .. 24 BAR 0025: 0 .. 25 BAR 0060: 0 .. 60 BAR	SENSOR INPUT / PROBE U4: 0,5-4,5V U1: 0-10 V I2: 4-20 MA	OUT1 R: OUTPUT 1	OUT2 H: HYST. xx/xx % R: ADD. OUTPUT
--	--	----------------------------	--

Remote Indicator

R	P	I	-	0	0	2	5	-	R	H	
---	---	---	---	---	---	---	---	---	---	---	--

MEASURING RANGE 0024: -1 .. 24 BAR 0025: 0 .. 25 BAR 0060: 0 .. 60 BAR	OUT1 R: OUTPUT 1	OUT2 H: HYST. xx/xx % R: ADD. OUTPUT	SPECIAL MODIFICATION
--	----------------------------	--	----------------------