



EMITTER
ELECTRONICS
innovative · reliable · flexible



DIGITAL PRESSURE INDICATOR

GEN3

DPI-XXXX / RPI / DPG-XXXX



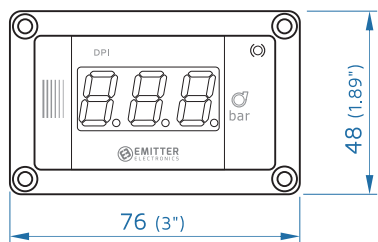
Features and Benefits

- 1 Vacuum, Low and High Pressure Indication options
- 2 3-Digit Super Bright LED Display
- 3 Dimmable - Light Sensor
- 4 I/O Driver integrated for Alarms, Regulation, Etc. - Optional
- 5 CAN Bus Interface
- 6 Wide Viewing Angle
- 7 Multiple Sensor input

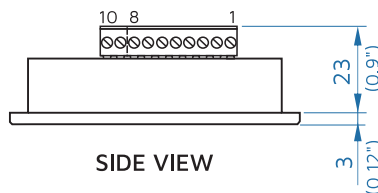
DPI types of Digital Pressure Indicators are designed to display system pressure using a 3 - digit ultra-bright LED display where multiple pressure sensors can be connected.

The unit standardly uses -1.24 bar, 0..25 bar or 0..60 bar pressure sensors. The sensor input is widely configurable and can be used for 0.5-4.5 V and 0-10 V transducers or 4-20 mA transmitters.

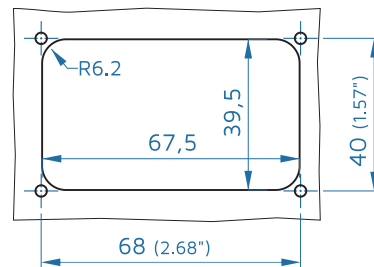
FRONT VIEW



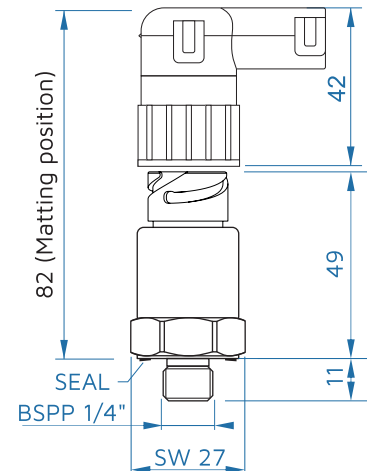
SIDE VIEW



PANEL CUT-OUT



PRESSURE SENSOR
S-PTXX



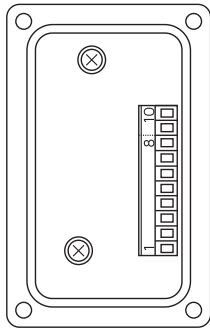
Optionally, an I/O driver can be integrated for activating warning output, regulating the system pressure, etc.

The Digital Pressure Indicator can be used as a

stand-alone system or as a part of MMX system connected via CAN bus to IO Controller. Several slave-remote pressure indicators (RPI) can be connected to a master indicator (DPI) to show the same value on different locations.

Connection

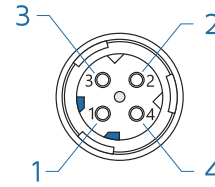
REAR VIEW



CONNECTION Terminal Block 8 (10) -way

PIN	DESCRIPTION
1	BATTERY + ("15")
2	BATTERY - (GND)
3	CAN L
4	CAN H
5	SENSOR [V] OR [mA] VCC+
6	SENSOR [V] OR [mA] SIGNAL
7	SENSOR [V] GND
8	DIGITAL IN1 +/-
9	OUT1 HIGH SIDE 2 A (OPTIONAL)
10	OUT2 HIGH SIDE 2 A (OPTIONAL)

OEM Pressure sensor PTxx-BWK



CONNECTION Twist Lock (ISO 15170)

PIN	VOLTAGE SENSOR	CURRENT SENSOR
1	BATTERY +	BATTERY +
2	GND	SIGNAL 4-20 MA
3	SIGNAL 0.5-4.5V	N/C
4	N/C	N/C

Specifications

POWER	
Supply Voltage	8-32 V DC
Current	0.5 A maximum, no outputs active
Electrical Protection	overvoltage, transients, reverse polarity
INTERFACES	
CAN	1 x CAN
CAN termination	120 ohm, DIP switch
I/O	
Sensor input	0.5-4.5 V standardly, 0-5V, 0-10V, 4-20 mA
Digital Input	configurable active low/high levels 0..Ub with solder pad on PCB, protected
Digital Output	<i>*Only version with integrated I/O driver</i>
OUT1	positive switching (high-side), max. 2 A (Low water warning)
OUT2	positive switching (high-side), max. 2 A (Autofill-Hysteresis)
Loads	inductive, capacitive, resistive
Miscellaneous	Protection from short circuit and overload
MISCELLANEOUS	
LED display	3 - digit
Reading resolution	@P<30 bar: 0.1 bar, @P>30 bar: 1 bar
Day/Night operation	automatic – integrated light sensor

ENVIRONMENT	
IP Class (IEC529)	IP67 front panel, IP20 from the back
EMC Conformity	EN61000-6-2 noise immunity EN61000-6-4 radiation of interference
Temperature Range	storage -40° to +85°C (-40° to 185°F) operating -40° to +85°C (-40° to 185°F)
ENCLOSURE	
Housing Material	aluminium
Mounting	in-dash, with 4 screws M3 or 3.5 mm (#8) tapping screws
Connector	Terminal block 8 or 10-way depending of options selected
SIZE AND WEIGHT	
W x H x D	48 x 76 x 26 mm with connector
Weight	0.1 kg (0.22 lbs)
PRESSURE SENSOR - OEM	
Sensor output signal	standard 0.5-4.5 V (optional 4-20 mA, 0-10 V)
Sensor supply voltage	8-32V, shorted to device supply voltage
Pressure range	-1 .. 24 bar, 0 .. 25 bar or 0 .. 60 bar
Sensor material	Stainless steel 316L
Pressure port	1/4" BSPP
El. Connection	Twist Lock ISO 15170 (Bayonet)

How to order (use characters in **bold** to create the order code)

SET of DPI-master indicator, pressure sensor, sensor cable) Ordering code example:

D	P	G	-	0	0	2	5	-	R	H
				MEASURING RANGE 0024: -1 .. 24 BAR 0025: 0 .. 25 BAR 0060: 0 .. 60 BAR			OUT1 R: OUTPUT 1	OUT2 H: HYST. xx/xx % R: ADD. OUTPUT		SPECIAL MODIFICATION

Master Indicator

D	P	I	-	0	0	2	5	U	4	R	H
				MEASURING RANGE 0024: -1 .. 24 BAR 0025: 0 .. 25 BAR 0060: 0 .. 60 BAR	SENSOR INPUT / PROBE U4: 0,5-4,5V U1: 0-10 V I2: 4-20 MA		OUT1 R: OUTPUT 1	OUT2 H: HYST. xx/xx % R: ADD. OUTPUT			

Remote Indicator

R	P	I	-	0	0	2	5	-	R	H
				MEASURING RANGE 0024: -1 .. 24 BAR 0025: 0 .. 25 BAR 0060: 0 .. 60 BAR			OUT1 R: OUTPUT 1	OUT2 H: HYST. xx/xx % R: ADD. OUTPUT		SPECIAL MODIFICATION



EMITTER ELECTRONICS

Engineering, production and service
Tržaška cesta 65, SI-2000 Maribor, Slovenia, Europe

Phone +386 5 995 1 973
mobile +386 41 726 476

info1@emitter.org
www.emitter.org

