



EMITTER
ELECTRONICS
innovative · reliable · flexible



KEYPAD MODULE

KPM-G21



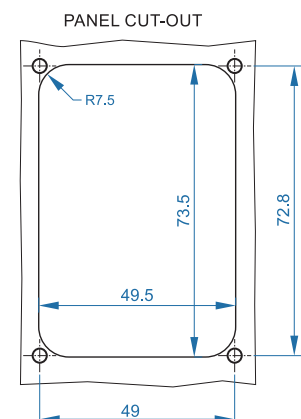
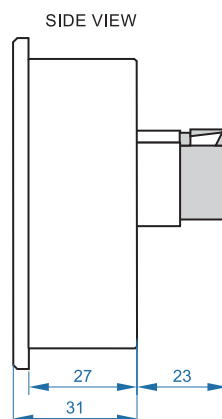
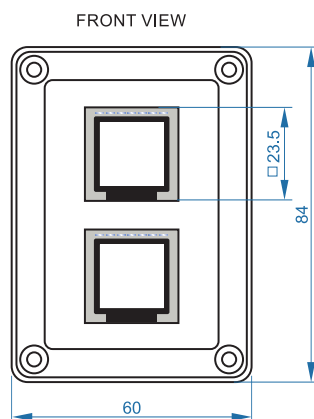
Icons shown on this keypad are for visual demonstration only.

Features and Benefits

- 1 White Backlit With Green Led Signal Indicator
- 2 Freely Selectable Icons
- 3 Can Bus Datalink
- 4 Super Bright Leds, Wide Viewing Angle
- 5 Integrated I/O Driver – Optional
- 6 Washable, Waterproof Aluminium Housing

Keypad module KPM-G21 uses two distinct keys, it is highly resistant to weather conditions and can survive extreme environments, what makes it perfect for installation outside or inside driver cabin. The keys are large, well-spaced and embossed, allowing a reliable pressure sensation with a tactile feedback even when wearing protective gloves. Each key has a large green LED signal indicator above the icon.

Type KPM-G210 has an integrated I/O controller with two low side power outputs and two inputs that can be useful if the keypad is used as a stand-alone device, not connected to the MMX system.



Keypad is user programmable. Each key can be configured to operate as a switch, push button or both as a special feature. Key label graphics are customizable, white backlit and coloured according to function groups for easy recognition. Unused keys can be screened off with a dark label. Labels are inserted at the inner

side of the front panel of the keypad. Several keypads located on different places can be connected over CAN BUS to collaborate. Keypad modules series KPM-R are a perfect solution in automotive, nautical, agriculture, utility vehicles and industrial sectors.

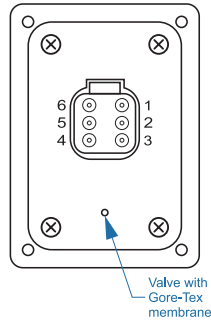
Connection

CAN BUS MODULE

CONNECTION Deutsch DT06-6S

PIN	DESCRIPTION
1	BATTERY + ("15")
2	CAN L
3	CAN L, INT. SHORTED TO PIN 2
4	CAN H
5	CAN H, INT. SHORTED TO PIN 4
6	BATTERY -

REAR VIEW (IP67)



STAND-ALONE MODULE WITH I/O

CONNECTION Deutsch DT06-6S

PIN	DESCRIPTION
1	BATTERY + ("15")
2	INPUT 1
3	OUTPUT 1
4	OUTPUT 2
5	INPUT 2
6	BATTERY -

Specifications

POWER	
Supply Voltage	8-32 V DC
Current	0.1 A maximum, no outputs active
Electrical Protection	overvoltage, transients, reverse polarity, load dump
INTERFACES	
CAN	1 x CAN (only type without I/O driver)
CAN termination	120 ohm, DIP switch
ENVIRONMENT	
IP Class (IEC529)	IP67, waterproof
EMC Conformity	EN61000-6-2 noise immunity EN61000-6-4 radiation of interference
Temperature Range	storage -40° to +85°C (-40° to 185°F) operating -40° to +85°C (-40° to 185°F)
KEYS	
Key LED	white backlit
Signal Indicator	super bright green LED bar
Icons	freely selectable icons
Key Design	embossed keys with tactile feedback, operating force 8N
Operating Life	>250.000 cycles
KEY dimension	23.5 x 23.5 mm
SIZE AND WEIGHT	
W x H x D	60 x 84 x 33 mm without connector
Weight	0.21 kg

ENCLOSURE	
Housing Material	aluminium
Mounting	in-dash, with 4 screws M3 or 3.5 mm (#8) tapping screws
Connector	Deutsch DT06-06S
I/O - Only version with integrated IO driver	
Digital Input	2 x active low level
Digital Output	2 x negative switching (low-side), max. 2 A
Loads	inductive, resistive
Miscellaneous	outputs not protected

Ordering Codes

KPM-G21	Keypad module, 2 keys (2 rows x 1 column), white backlit with green signal indicator, CAN BUS datalink
KPM-G210	Keypad module, 2 keys (2 rows x 1 column), white backlit with red signal indicator, integrated I/O driver, no CAN BUS datalink
For more options please contact the supplier.	



EMITTER ELECTRONICS

Engineering, production and service
Tržaška cesta 65, SI-2000 Maribor, Slovenia, Europe

Phone +386 5 995 1 973
mobile +386 41 726 476

info1@emitter.org
www.emitter.org