



EMITTER
ELECTRONICS
innovative · reliable · flexible



MMX LCD4K5



Optional Accessories

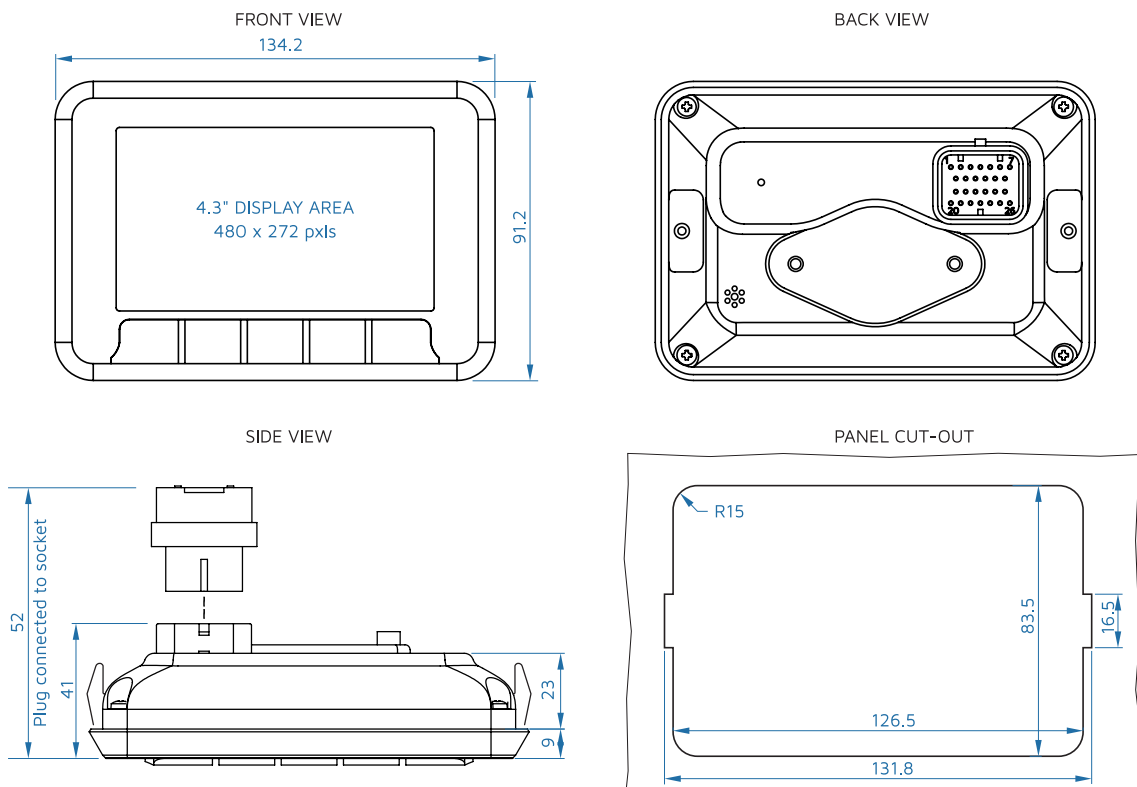


Features and Benefits

- 1 Sunlight Readable
- 2 Anti-Reflective Glass
- 3 5 Soft Keys
- 4 Video Input
- 5 Cabin Or Panel Mount

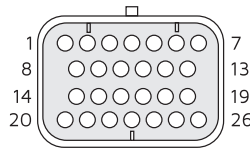
MMX LCD4 Display unit is very modern looking, cost-efficient, rugged 4.3" operator control panel for use on heavy-duty vehicles and work machines that must operate outdoor in harsh conditions. It is fully equipped with five soft-function keys, integrated buzzer, CAN bus and video inputs.

The display can be installed in-dash or out-dash with its specific articulated support.



Connection

PIN	Description / wire colour
1	U BATT + (Ignition)
2	U BATT - „31“ (GND)
3	U BATT + „15“ (Ignition)
4	Shorted to PIN 3 - Camera Supply+ (Red)
5	CAN H line 1
6	CAN L line 1
7	Ground signal
8	CAN H line 2
9	CAN L line 2
10	Ground signal
11	Input 1
12	Input 2
13	Ground signal



PIN	Description / wire colour
14	Video Input (Yellow)
15	Video Camera GND (Black + Shield)
16	UART TX
17	UART RX
18	Ground signal
19	Output 1, optional
20	Output 2, optional
21	Output 3, optional
22	Output 4, optional
23	USB V Bus
24	USB Data - line
25	USB Data + line
26	USB Ground

Specifications

POWER	
Supply Voltage	8-32 V DC
Current	500 mA maximum, no outputs active
Electrical Protection	overvoltage, transients, reverse polarity
INTERFACES	
CAN	2 x CAN BUS ISO 11898, 2.0B high speed
Video	1 x PAL/NTSC
USB	1x USB 2.0, for firmware update
DISPLAY	
Display type	Active matrix colour TFT LCD 4.3 inch, 16.2M colours, sunlight-readable, anti-reflective glass
Resolution	480 x 272 pixels, dot pitch 0.198,16:9
Viewing angle	80°
Luminance	800 cdm
Contrast ratio	600:1
Boot time	< 3 sec.
MISCELLANEOUS	
Keys	5 soft keys, backlit
Touch	resistive - optional
Acoustic signal output	integrated buzzer max 85 dB
Inputs	2 Software configurable
Outputs	4 digital high side, 2 A max, optional
Operating system	Linux embedded
Kernel	ARM 32-bit uP, 2 MB Flash memory, 16 MB serial Flash

ENVIRONMENT	
IP Class (IEC529)	IP65
EMC Conformity	EN61000-6-2 noise immunity EN61000-6-4 radiation of interference
Temperature Range	storage -40° to +75°C operating -40° to +75°C
ENCLOSURE	
Housing Material	black rubber housing
Mounting	in-dash with springs or out-dash with articulated support
Matting Connector	Tyco-AMP Ampseal 1437288-6, 26 way
SIZE AND WEIGHT	
W x H x D [mm]	134 x 91 x 33, without matting connector
Weight	250 g

Product Code

MMXLCD4K5 4.3" LCD Control panel with 5 Keys, no touch

For more options please contact the supplier.



EMITTER ELECTRONICS

Engineering, production and service
Tržaška cesta 65, SI-2000 Maribor, Slovenia, Europe

Phone +386 5 995 1 973
mobile +386 41 726 476

info1@emitter.org
www.emitter.org