



EMITTER
ELECTRONICS
innovative · reliable · flexible



MMX LCD10



Optional Accessories

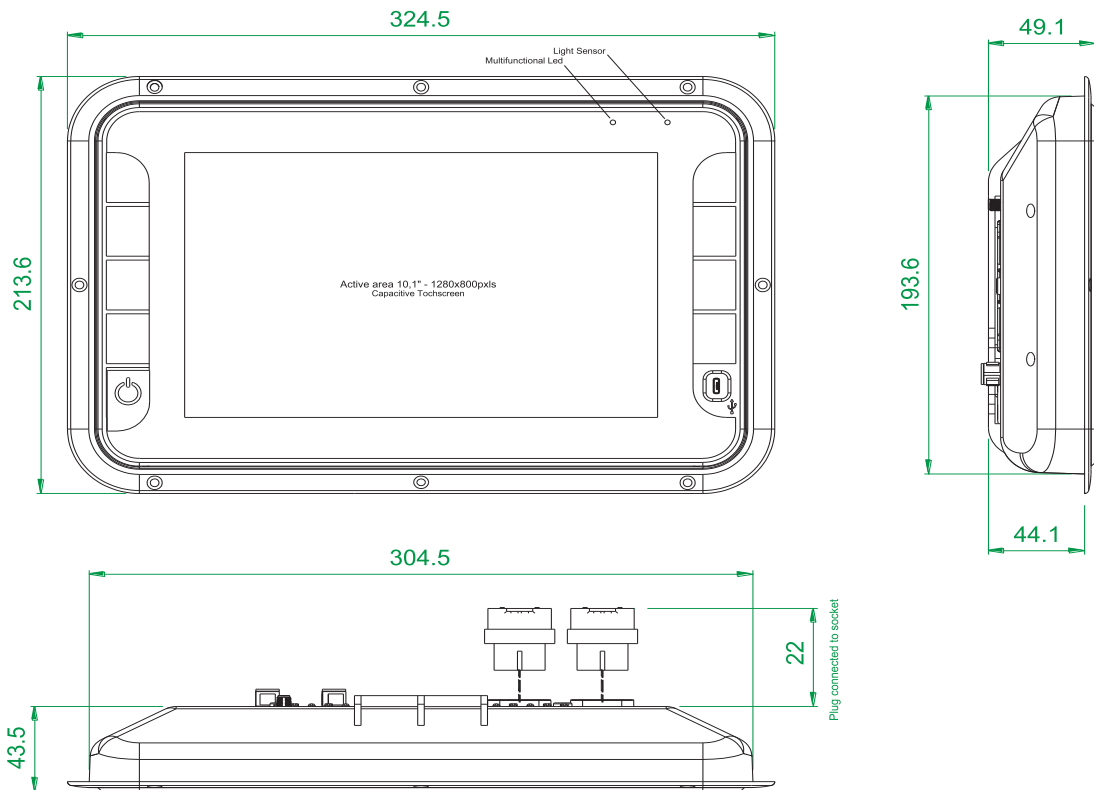


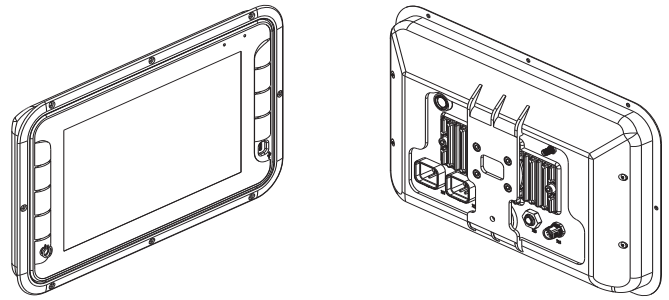
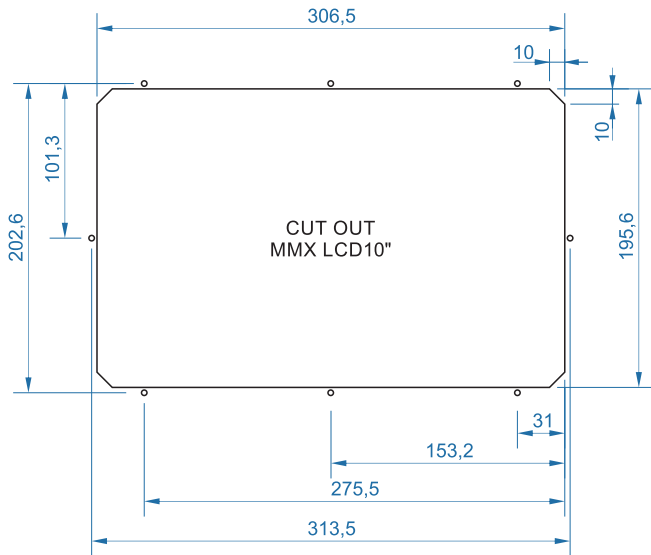
Features and Benefits

- 1 Wide Viewing Angle 170° (IPS)
- 2 Sunlight Readable, Anti-Reflective Glass
- 3 9 Soft Keys
- 4 Capacitive Multitouch Screen
- 5 Two Video Input, optional four
- 6 Cabin Or Panel Mount
- 7 Acoustic Signal-Integrated Buzzer

MMX LCD10 is a high-end display solution, a rugged operator control panel for use on heavy-duty vehicles and work machines that must operate outdoor in harsh conditions. It is fully equipped with touch screen and nine soft-function keys, integrated buzzer, CAN bus and video inputs. It is a perfect solution for pump control outside the vehicle or for superstructure control from the cabin.

The display can be installed both in-dash or out-dash with its specific articulated support.





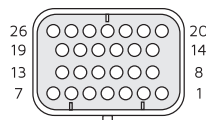
Connection

Connector X1

PIN Description / wire colour

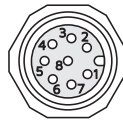
1	U BATT + (Ignition-15, optionally 30)
10	CAN1 H
11	CAN1 L
14	CAN2 H
20	CAN2 L
21	U batt - (GND-31)
22	U batt+ (Ignition -15)

CONNECTOR X1



View from rear side of the LCD

CONNECTOR M12-8way



Connector M12 A-Coding male 8-way

PIN Description / wire colour

1	U batt +, positive power supply for external camera (Ignition "15")
2	U batt -, negative power supply for external camera (GND "31")
3	VIDEO IN1, PAL/NTSC video input
4	VIDEO GND, ground signal
5	U batt +, positive power supply for external camera (Ignition-15)
6	U batt -, negative power supply for external camera (GND-31)
7	VIDEO IN2, PAL/NTSC video input
8	VIDEO GND, ground signal

Specifications

POWER	
Supply Voltage	8-32 V DC
Current	1.5 A maximum
Electrical Protection	overvoltage, transients, reverse polarity, load dump
INTERFACES	
CAN	2 x CAN BUS ISO 11898, 2.0B high speed
Video	4 x PAL/NTSC simultaneous
USB	1x USB 2.0, for firmware update
DISPLAY	
Display type	active matrix colour TFT LCD 10 inch, 16.2M colours, sunlight-readable, anti-reflective glass
Resolution	1280 x 800 pixels, dot pitch 0.1695 mm, 16:10
Viewing angle	horizontal 170°, Vertical 170° (IPS)
Luminance	850 cdm
Contrast ratio	800:1
Touchscreen	capacitive multitouch with bonding technology (gloves compatible)
MISCELLANEOUS	
Keys	9 soft keys, backlit
Acoustic signal output	integrated buzzer max 93 dB
Light sensor	detect the intensity of the light in the environment

Operating system	Linux embedded
Kernel	dual ARM Cortex A9, 32-bit uP, 8 GB Flash memory eMMC
ENVIRONMENT	
IP Class (IEC529)	IP65
EMC Conformity	EN61000-6-2 noise immunity EN61000-6-4 radiation of interference
Temperature Range	storage -40° to +85°C operating -30° to +70°C
ENCLOSURE	
Mounting	in-dash with 8 screws M3 or 2.9 mm tapping screws or out-dash with articulated support
Matting Connector	Tyco-AMP Ampseal 1437288-6, 26 way M12 8-way for two video cameras
SIZE AND WEIGHT	
W x H x D [mm]	324 x 213 x 43, without matting connector
Weight	1500 g

Product Code

MMXLCD10 10" TFT LCD Control panel, 9 soft keys + touch

For more options please contact the supplier.



EMITTER ELECTRONICS

Engineering, production and service
Tržaška cesta 65, SI-2000 Maribor, Slovenia, Europe

Phone +386 5 995 1 973
mobile +386 41 726 476

info1@emitter.org
www.emitter.org

