



**EMITTER**  
ELECTRONICS  
innovative · reliable · flexible



# KEYPAD MODULE

## KPM-GC4J2



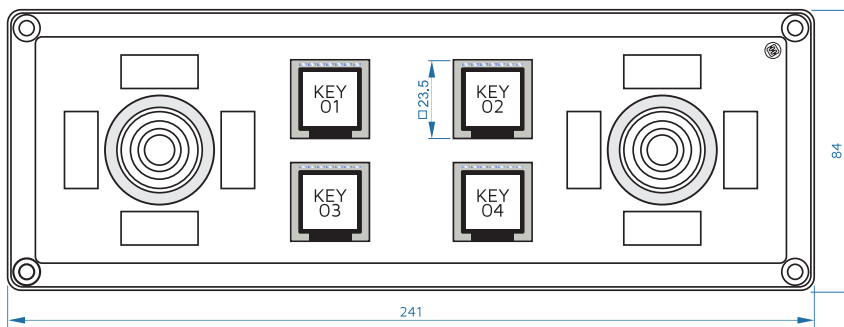
Icons shown on this keypad are for visual demonstration only.

### Features and Benefits

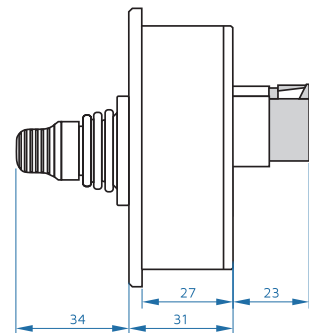
- 1 Integrated 2 Joysticks - 4 Way with Limiter**
- 2 White and RGB Backlit Keys with Green LED Signal Indicator**
- 3 Freely Selectable Icons**
- 4 CAN Bus Datalink**
- 5 Super Bright LEDs, Sunlight Readable**
- 6 Washable, Waterproof Aluminium Housing**

Keypad module KPM-RC4J2 uses two 4-way Joysticks specifically engineered for demanding vehicle applications and 4 distinct keys. It is highly resistant to weather conditions and can survive extreme environments, what makes it perfect for installation outside or inside driver cabin. The keys are large, well-spaced and embossed, allowing a reliable pressure sensation with a tactile feedback even when wearing protective gloves. Each key has a large green LED signal indicator above the icon. Since the KEY backlit LED are white and RGB (colour) the keypad can be used as combination of buttons and warning light indicators.

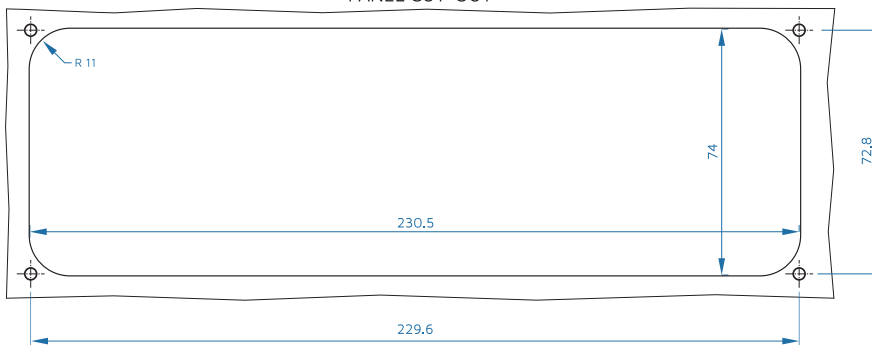
FRONT VIEW



SIDE VIEW



PANEL CUT-OUT

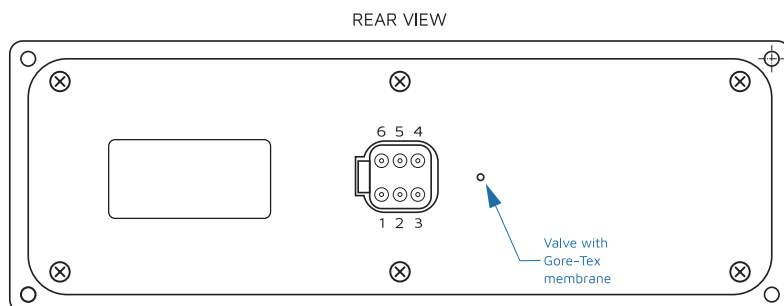


Keypad is programmable. Each key can be configured to operate as a switch or a push button. Key label graphics are customizable, white backlit and coloured according to function groups for easy recognition. Unused keys can be screened off with a dark label.

Labels are inserted at the inner side of the front panel of the keypad. Several keypads located on different places can be connected over CAN BUS to collaborate.

Keypad modules series KPM-RC42J are a perfect solution for agriculture and municipal vehicles as well as in industrial sectors.

## Connection



### CONNECTION Deutsch DT06-6S

PIN	DESCRIPTION
1	BATTERY + ("15")
2	CAN L
3	CAN L - shorted to PIN 2
4	CAN H
5	CAN H - shorted to PIN 4
6	BATTERY -

## Specifications

POWER	
Supply Voltage	8-32 V DC
Current	0.5 A maximum, no outputs active
Electrical Protection	overvoltage, transients, reverse polarity, load dump
INTERFACES	
CAN	1 x CAN
CAN termination	configurable termination 120 ohm via DIP switch
CAN Link	T-connection, node ID definition via software
ENVIRONMENT	
IP CLASS (IEC529)	IP67, waterproof
EMC Conformity	EN61000-6-2 noise immunity EN61000-6-4 radiation of interference
Temperature Range	storage from -40° to +85°C operating from -40° to +85°C
KEYS	
Key LED	first row RGB and white backlit, second row white backlit
Signal Indicator	Super bright green LED bar
Icons	freely selectable icons
Key Design	embossed keys with tactile feedback, operating force 8N
Operating Life	>250.000 cycles
KEY dimension	23.5 x 23.5 mm
SIZE AND WEIGHT	
W x H x D [mm]	241 x 84 x 33 mm without connector
Weight	0.75 kg

JOYSTICS	
Level Action	4-way with 4-way Limiter, spring centering
Operating Force	5 N +/- 1N
Max. Load	Vertical 200 N, Horizontal 150 N
Angle of Movement	+/- 15°
Operating Life	>300.000 cycles
ENCLOSURE	
Housing Material	Aluminium, Joystick - Silicone
Mounting	in-dash, with 4 screws M4 or 3.5 mm (#8) tapping screws
Connectors	Deutsch DT06-06S

## Ordering Codes

<b>KPM-GC4J2</b>	Keypad module, 2 Joysticks, 4 keys, white and RGB backlit with green signal indicator
<b>For more options please contact the supplier.</b>	



**EMITTER ELECTRONICS**

Engineering, production and service  
Tržaška cesta 65, SI-2000 Maribor, Slovenia, Europe

Phone +386 5 995 1 973  
mobile +386 41 726 476

info1@emitter.org  
www.emitter.org