



**EMITTER**  
ELECTRONICS  
innovative · reliable · flexible



# MATRIX MESSAGE BOARD

**MMB-RGB 96x16**



Text and pattern on this MMB are for visual demonstration only

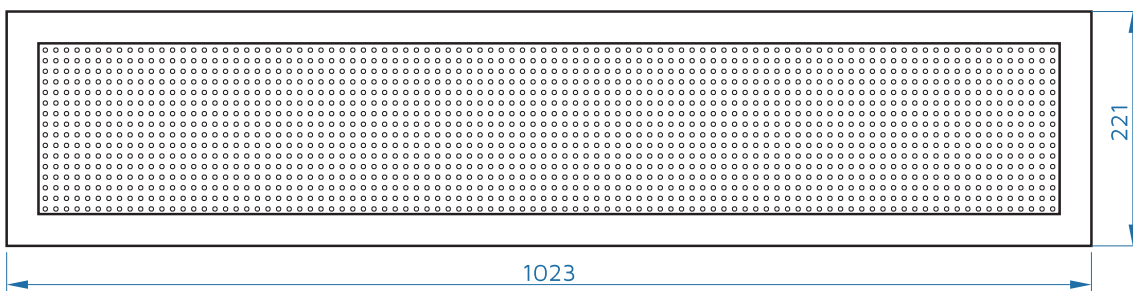
## Features and Benefits

- 1 Full-Matrix RGB LED Display
- 2 96 x 16 Pixels for Clear Message Presentation
- 3 Text, Arrows, Signs, Warnings Patterns
- 4 Long Message presentation - Scroll or Push Transitions
- 5 Unique In-Dash Mounting
- 6 CAN Bus

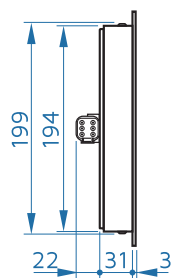
The Matrix Message Board **MMB-RGB 96x16** is mainly designed to be mounted on special vehicles to warn or direct traffic, provide information and to secure danger spots on streets or in public areas. The patterns, such as text, arrows and signs are pre-programmed according to the customers needs as well as the colour of the pattern itself. Default colour is amber.

The in-dash mounting of the MMB is unique on the market. The board is practically installed flat with the vehicles side to give it a modern look.

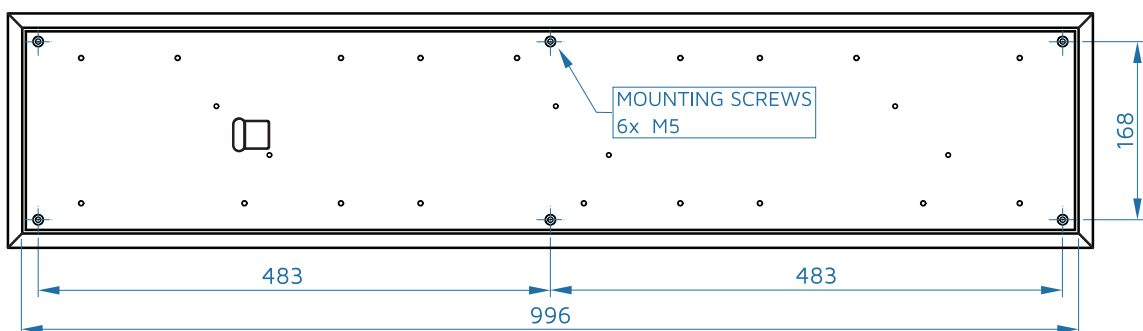
FRONT VIEW



SIDE VIEW

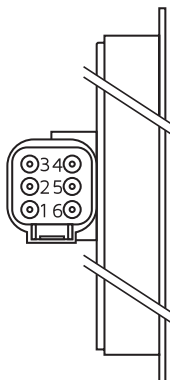


REAR VIEW



The MMB is a part of Emitter Electronics MMX family products and can be controlled by MMX LCD units, keypads or used together with customers CAN bus system.

Black coated aluminium housing and UV protected polycarbonate front plate are made for long lasting operation and are highly resistant to all weather conditions.



#### Deutsch DT06-6S

PIN	DESCRIPTION
1	Battery +
2	CAN L
3	CAN L, internal shorted to pin 2
4	CAN H
5	CAN H, internal shorted to pin 4
6	GND (Battery -)

## Specifications

POWER	
<b>Unit Supply Voltage</b>	8-32 V DC
<b>Current</b>	max. 0.7 A @ 24 V max. 1.4 A @ 12 V
<b>Electrical Protection</b>	overvoltage, transients, reverse polarity, load dump
INTERFACES	
<b>CAN</b>	1x CAN, ISO 11898 2.0 A/B up to 1 Mbps, protocols SAE J1939, CAN open, free, etc. 120 Ohm, DIP switch
CAN Termination	
LED MATRIX	
<b>LED</b>	matrix 96x16 RGB super bright SMD LEDs
<b>Message presentation</b>	arrows, text, signs and other patterns
<b>Message animation</b>	steady, scroll, push
<b>Light sensor</b>	optional

ENVIRONMENT	
<b>Temperature range</b>	storage from -40°C to +85°C
<b>Storage Temperature</b>	operation from -40 to +85°C
<b>IP Class (IEC529)</b>	IP65, front panel IP67
<b>EMC</b>	designed to EN 61000-6-2, noise immunity designed to EN 61000-6-4, radiation of interference
ENCLOSURE	
<b>Matting Connector</b>	Deutsch DT06-06S, automotive 6-way connector, waterproof
<b>Housing material</b>	Aluminium housing - black coated, polycarbonate front plate - transparent
<b>Housing dimensions</b>	transparent protection plate, 1023 x 221 x 56 mm
<b>Mounting</b>	in-dash with 6 screws M5 or tapping screws with max. diameter of 5 mm
SIZE AND WEIGHT	
<b>W x H x D</b>	1023 x 221 x 56 (34 without connector)
<b>Weight</b>	4 kg

## Ordering Codes

Product Code	Description	Type	Status
<b>MMB-RGB 96X16</b>	matrix message board, 96x16 px, RGB, CAN	Standard	Active
<b>For more options please contact the supplier.</b>			



### EMITTER ELECTRONICS

Engineering, production and service  
Tržaška cesta 65, SI-2000 Maribor, Slovenia, Europe

Phone +386 5 995 1 973  
mobile +386 41 726 476

info1@emitter.org  
www.emitter.org

