



EMITTER
ELECTRONICS
innovative · reliable · flexible



INTERCOM



Features and Benefits

- 1 Digital audio processing and transmission
- 2 Automatic gain control (AGC)
- 3 Integrated microphone
- 4 RGB LED illuminated heavy-duty buttons, suitable for operation with protective gloves
- 5 Automatic Key brightness
- 6 Quick installation and setup
- 7 Robust e-coated aluminium enclosure

Supreme audio quality, Digital processing

Emitter Vehicle Intercom System is engineered to solve the problem of communication in high-noise environments such as in Fire and Rescue vehicles, mobile machines, ambulances, etc.

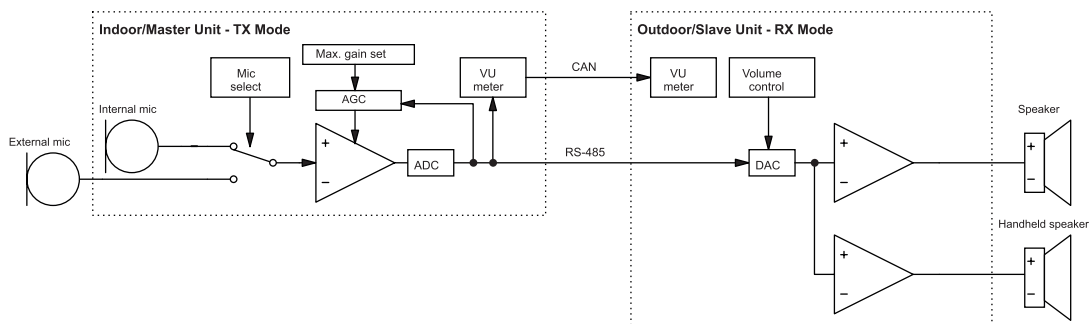
The supreme audio quality is achieved with digital audio transmission which is much more immune to electrical noise and other disturbances than analogue transmission. Digital audio processing, automatic gain control (AGC), gate functionality and digital filtering improve sound quality on all levels.



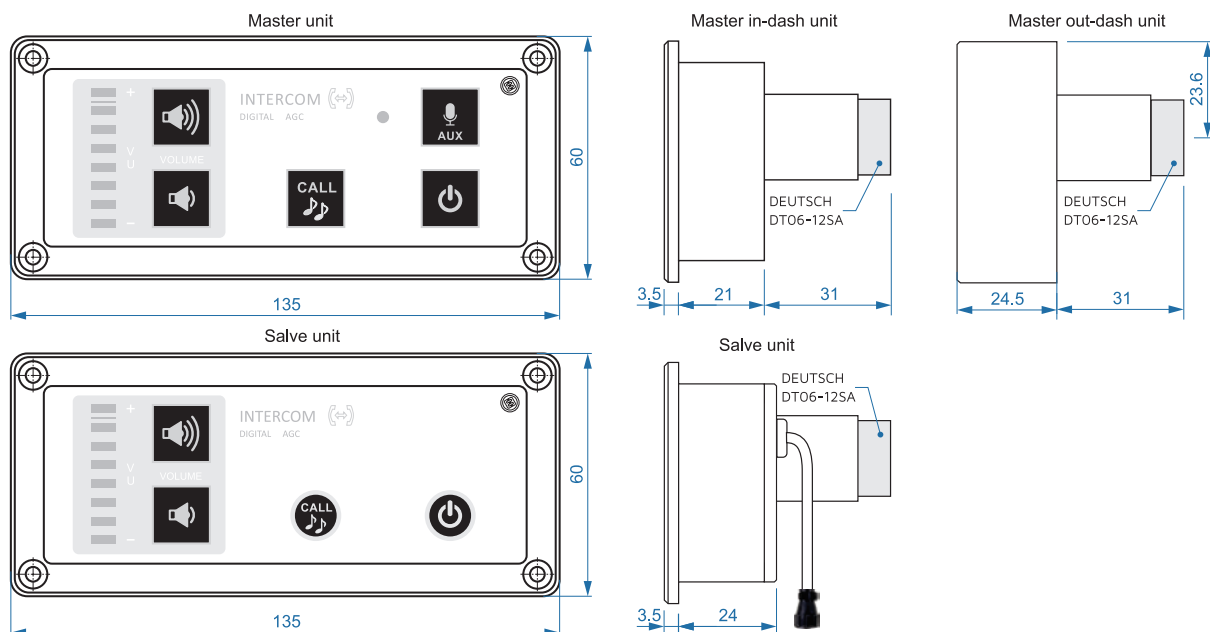
INTERCOM consists of two main units and supporting components. Up to three slave units can be connected optionally. Regarding mounting location, one unit, usually mounted in the cabin, is marked as the "indoor/master unit" and the other one as the "outdoor/slave unit". Each unit has its own specific supporting components. The

indoor/master unit has an integrated microphone, optional external gooseneck microphone and external 15 W speaker. The outdoor/slave unit has an external handheld unit with an integrated microphone and speaker, external 15 W speaker and 1 A output for external ring indication lamp or a buzzer.

Operating Block diagram is shown in the picture below:



Dimensions



Specifications

POWER	
Supply Voltage	24 V version: 20-32 V DC 12 V version: 8-16 V DC
Current Consump.	24 V version: max. 1.5 A/unit 12 V version: max. 3.75 A/unit
Electrical Protection	overvoltage, transients, reverse polarity, load dump
I/O AND INTERFACES	
Output	1 x Current Sink Output, max. 1 A on outdoor/slave unit
Interfaces	1 x CAN, 1 x RS-485
Speaker	1 x RMS/PEAK power max. 15/25 W, 4 Ω

ENVIRONMENT	
IP Class (IEC259)	Indoor/MasterUnit IP53 Outdoor/Slave Unit IP67
Temperature Range	Indoor/MasterUnit -20°C to +70°C Outdoor/Slave Unit -40°C to +80°C
ENCLOSURE	
Housing Material	Aluminium
Mounting	In-dash or out-dash with 4 screws M3 or 2.9 mm tapping screws
Matting connector	Deutsch DT06-12S
Unit Weight	0.35 kg

How to order (use characters in **bold** to create order code)

Intercom master, cabin / indoor unit

Ordering code example:

I	N	T	M	I	-	2	4	V
----------	----------	----------	----------	----------	---	----------	----------	----------

INTERCOM UNIT TYPE
MI : MASTER IN-DASH
MO : MASTER OUT-DASH
S1 : SLAVE 1
S2 : SLAVE 2
S3 : SLAVE 3

SUPPLY VOLTAGE
24V : 20..32 V
12V : 8..16V



EMITTER ELECTRONICS

Engineering, production and service
Tržaška cesta 65, SI-2000 Maribor, Slovenia, Europe
Phone +386 5 995 1 973, mobile +386 41 726 476
info1@emitter.org, www.emitter.org



Distributor for AUSTRALIA

Bell Environmental (Melbourne)
68 Berkshire Road, Sunshine, Victoria, 3020 Australia
phone (03) 8582 1861
info@bellenvironmental.com.au, <http://bellenvironmental.com.au>