



**EMITTER**  
ELECTRONICS  
innovative · reliable · flexible



# MMX LCD4K5



## Optional Accessories

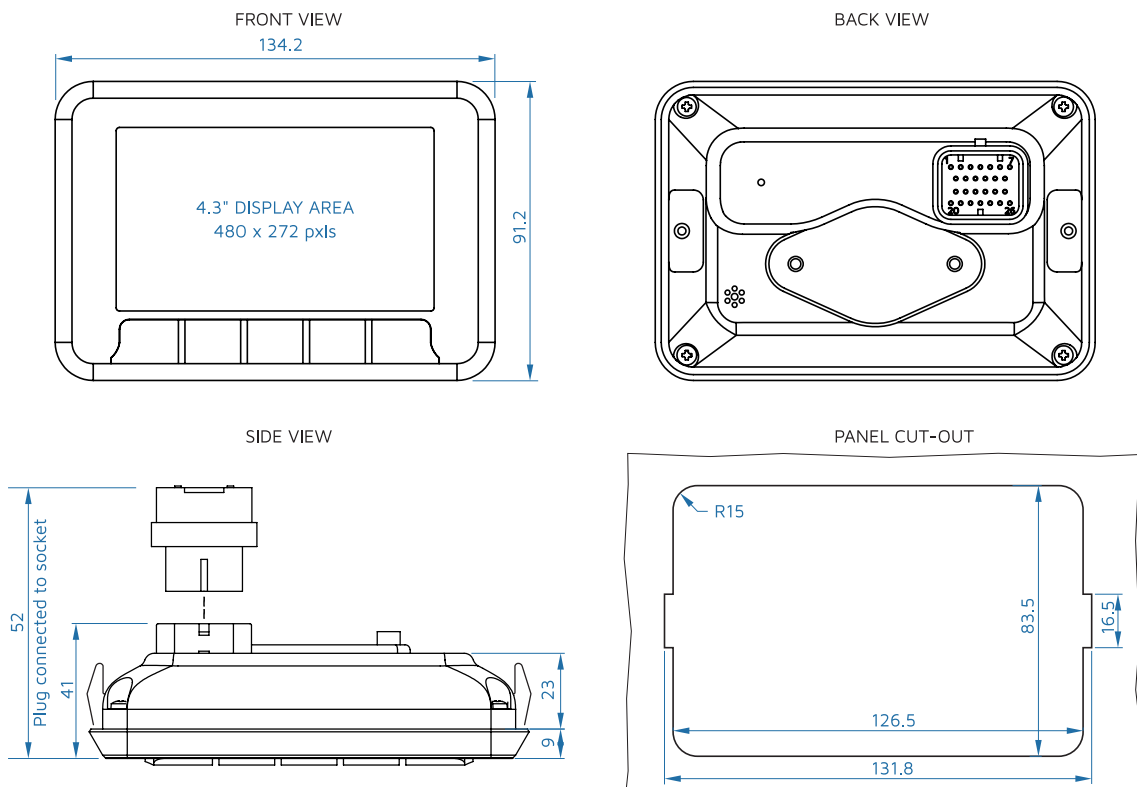


## Features and Benefits

- 1 Sunlight Readable
- 2 Anti-Reflective Glass
- 3 5 Soft Keys
- 4 Video Input
- 5 Cabin Or Panel Mount

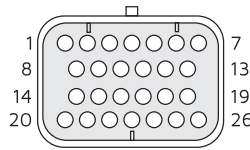
**MMX LCD4** Display unit is very modern looking, cost-efficient, rugged 4.3" operator control panel for use on heavy-duty vehicles and work machines that must operate outdoor in harsh conditions. They are fully equipped with five soft-function keys, integrated buzzer, CAN bus and video inputs.

The display can be installed in-dash or out-dash with its specific articulated support.



## Connection

PIN	Description / wire colour
1	U BATT + (Ignition)
2	U BATT + „15“ (GND)
3	U BATT + „15“ (Ignition)
4	Shorted to PIN 3 - Camera Supply+ (Red)
5	CAN H line 1
6	CAN L line 1
7	Ground signal
8	CAN H line 2
9	CAN L line 2
10	Ground signal
11	Input 1
12	Input 2
13	Ground signal



PIN	Description / wire colour
14	Video Input (Yellow)
15	Video Camera GND (Black + Shield)
16	UART TX
17	UART RX
18	Ground signal
19	Output 1, optional
20	Output 2, optional
21	Output 3, optional
22	Output 4, optional
23	USB V Bus
24	USB Data - line
25	USB Data + line
26	USB Ground

## Specifications

POWER	
<b>Supply Voltage</b>	8-32 V DC
<b>Current</b>	500 mA maximum, no outputs active
<b>Electrical Protection</b>	overvoltage, transients, reverse polarity
INTERFACES	
<b>CAN</b>	2 x CAN BUS ISO 11898, 2.0B high speed
<b>Video</b>	1 x PAL/NTSC
<b>USB</b>	1x USB 2.0, for firmware update
DISPLAY	
<b>Display type</b>	Active matrix colour TFT LCD 4.3 inch, 16.2M colours, sunlight-readable, anti-reflective glass
<b>Resolution</b>	480 x 272 pixels, dot pitch 0.198,16:9
<b>Viewing angle</b>	80°
<b>Luminance</b>	800 cdm
<b>Contrast ratio</b>	600:1
<b>Boot time</b>	< 3 sec.
MISCELLANEOUS	
<b>Keys</b>	5 soft keys, backlit
<b>Touch</b>	resistive - optional
<b>Acoustic signal output</b>	integrated buzzer max 85 dB
<b>Inputs</b>	2 Software configurable
<b>Outputs</b>	4 digital high side, 2 A max, optional
<b>Operating system</b>	Linux embedded
<b>Kernel</b>	ARM 32-bit uP, 2 MB Flash memory, 16 MB serial Flash

ENVIRONMENT	
<b>IP Class (IEC529)</b>	IP65
<b>EMC Conformity</b>	EN61000-6-2 noise immunity EN61000-6-4 radiation of interference
<b>Temperature Range</b>	storage -40° to +75°C operating -40° to +75°C
ENCLOSURE	
<b>Housing Material</b>	black rubber housing
<b>Mounting</b>	in-dash with springs or out-dash with articulated support
<b>Matting Connector</b>	Tyco-AMP Ampseal 1437288-6, 26 way
SIZE AND WEIGHT	
<b>W x H X D [mm]</b>	134 x 91 x 33, without matting connector
<b>Weight</b>	250 g

## Product Code

<b>MMXLCD4K5</b>	4.3" LCD Control panel with 5 Keys, no touch
<b>For more options please contact the supplier.</b>	